

REGLETTE T5 CCT

Typology

LED T5 replacement professional undercabinet/ceiling batten light in the most diffused sizes.

Features

It attaches to both walls and ceilings using the clip included.
 Filino T5 batten can be installed in series code KTLRT, up to a maximum of 10 units (18 W / 23 W); 15 units (8/10 W / 14 W); 20 units 4 W.
 Exceptional light quality & easy fixing with the clips provided; On/off switch on the batten body.
 Free-wire connection: use the accessory cable code KTLRT-CORD if a plug is required.
 Filino T5 batten can be installed in series by joining together the units or using the accessory connection cable, code KTLRT.

Material

Heat resistant, anti-yellowing plastic body.

Applications

Shelves lighting for retail sector, over- and under-shelves, etc.

BASIC

220-240 Vac

Ra >80

20000 h L70B50

IP20

Wire

-25°C
+35°C

Risk Group 0

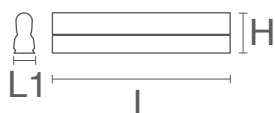
130°

G2

Characteristic data

Power	4 W	Beam	130°	Dimmable	No	Input	220-240 Vac
Base	Wire	IP	20	Flux	480 lm	Axis	175 cd
PF	0.51	Tc	3000-4000-6400 K	Ra	>80	LED Warranty	G2
RG	RG0						

Dimensional characteristics



L	300 mm
L1	25 mm
H	30 mm

Lighting and photometric features

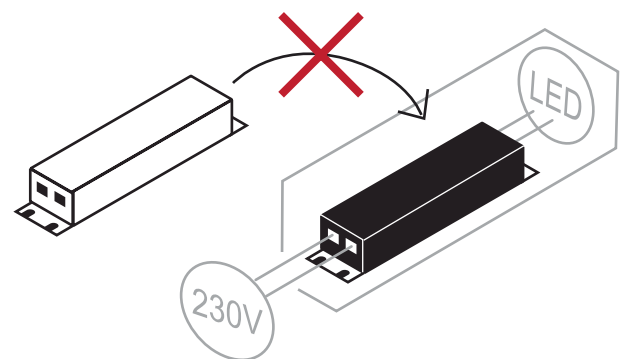
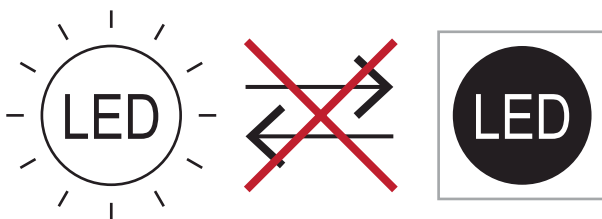
Beam opening	130°
Flux	480 lm
Axis	175 cd
CCT nominal colour temperature	3000-4000-6400 K
Colour of the light	CCT
Colour rendering index	>80
Lifespan	20000 h
LED lifespan	L70B50
Trigger time	<0,2 s
Heating time up to 60% of full efficiency	Instant Full Light

Electrical characteristics

Rated power	4 W
Input voltage	220-240 Vac
Frequency	50/60 Hz
Dimmable	No
Power factor (PF)	0.51
Input current	0.03 A
Energy efficiency class	This product contains a light source of energy efficiency class "D"
Number of cycles	100000
Operating temperature	-25°C / +35°C

Other Infotech

Reflector	Yes
Light source replaceability	Non-replaceable light source.
Control gear replaceability	Non-replaceable control gear.



LED Warranty

G2	Up to 2 years (4000h/year) *4000h = 11h a day x 365 days. Without limitations on the duration of use for the first year, provided the observance of the installation conditions.
----	--

European Directives

2009/125/EC * Ecodesign
 2011/65/EU * RoHS
 2012/19/EU * RAEE
 2014/30/EU * EMC
 2014/35/EU * LVD
 2015/863 * Amending RoHS
 2017/1369 * Regulation for Energy Labelling
 2019/2015 * Regulation for Energy Labelling
 2019/2020 * Regulation for Ecodesign
 2021/340 * Amending Reg. Energy Labelling
 2021/341 * Amending Reg. Ecodesign

Product standards

CEI EN 55015:2020 (+A11:2020)
 CEI EN 60598-1:2022
 CEI EN 60598-2-1:2022
 CEI EN 61000-3-2:2019 (+A1:2021)
 CEI EN 61000-3-3:2014 (+EC1:2014/+EC2:2016/+A1:2021/+A2:2022)
 CEI EN 61547:2010
 CEI EN 62031:2021 (+A11:2022)
 CEI EN 62471:2010
 IEC/TR 62471-2:2009
 CEI EN 62493:2015
 CEI 34-141:2014

Logistics data

Item net weight	50 gr
Barcode single item	8011905338534
Number of pieces multiple pack	10
Minimum order quantity	1
Minimum packaging	1 / 10