

SLIMFLUX BL PLAFO - PLUS

Typology

LED panel or direct lighting complete with a ceiling-mounted frame for surface installation.

Also available in a UGR version.

Features

Fixtures can be also be surface mounted both vertically and horizontally.

The positioning of the LED sources on a horizontal plate ensures lighting uniformity on the screen surface and excellent efficiency levels.

If you want to dim or use the multicurrent power supply dimmer.

Colour rendering: Ra>80.

Material

Painted white aluminium body; high-transmittance PMMA primary optics.

Usage information

SLIMFLUX 60x60 panels can be used with multi-current dimming power supply, code DELT40D-M.

Emergency

SLIMFLUX panels can be used with standby emergency kit, code KTEMR03.

Notes

Providing greater visual comfort, improved definition of detail and reduction of stress.

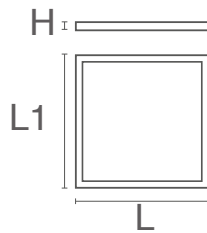


PLUS	220-240 Vac	Ra >80		35000 h L70B20	IP20 VI IP43 VO	Free Wire	-25°C +35°C	Risk Group 0	

Characteristic data

Power	60 W	Dimmable	No	Input	220-240 Vac	Base	Free Wire
IP	20	Optical compartment IP	43	Flux	6000 lm	PF	0,95
Tc	4000 K	Ra	>80	LED Warranty	G3	RG	RG0

Dimensional characteristics



L	600 mm
L1	600 mm
H	40 mm

Lighting and photometric features

Flux	6000 lm
CCT nominal colour temperature	4000 K
Colour of the light	Natural light
Colour rendering index	>80
Lifespan	35000 h
LED lifespan	L70B20
Trigger time	<0,2 s
Heating time up to 60% of full efficiency	Instant Full Light

Electrical characteristics

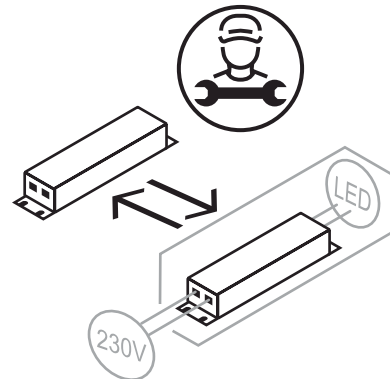
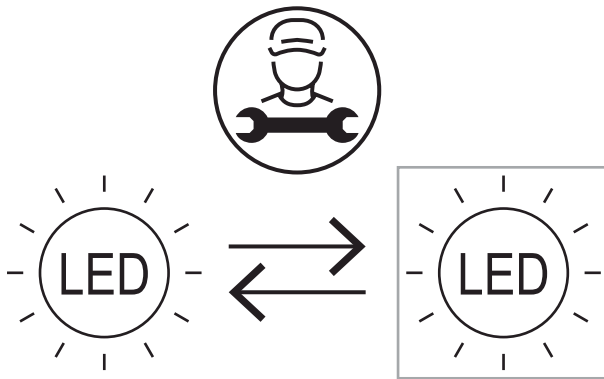
Rated power	60 W
Input voltage	220-240 Vac
Frequency	50/60 Hz
Dimmable	No
Power factor (PF)	0,95
Operating temperature	-25°C / +35°C

Photometry

EuLumDat file on the site

Other Infotech

Flicker Free	Yes
Light source replaceability	Replaceable (LED only) light source by a professional.
Control gear replaceability	Replaceable control gear by a professional.



LED Warranty

G3	Up to 3 years (4000h/year) *4000h = 11h a day x 365 days. Without limitations on the duration of use for the first year, provided the observance of the installation conditions.
----	--

European Directives

2009/125/EC * Ecodesign
 2011/65/EU * RoHS
 2012/19/EU * RAEE
 2014/30/EU * EMC
 2014/35/EU * LVD
 2015/863 * Amending RoHS
 2017/1369 * Regulation for Energy Labelling
 2019/2015 * Regulation for Energy Labelling
 2019/2020 * Regulation for Ecodesign
 2021/340 * Amending Reg. Energy Labelling
 2021/341 * Amending Reg. Ecodesign

Product standards

CEI EN 55015:2020 (+A11:2020)
 CEI EN 60598-1:2022
 CEI EN 60598-2-1:2022
 CEI EN 60598-2-2:2012
 CEI EN 61000-3-2:2019 (+A1:2021)
 CEI EN 61000-3-3:2014 (+EC1:2014/+EC2:2016/+A1:2021/+A2:2022)
 CEI EN 61547:2010
 CEI EN 62031:2021 (+A11:2022)
 CEI EN 62471:2010
 IEC/TR 62471-2:2009
 CEI EN 62493:2015
 CEI 34-141:2014

Logistics data

Item net weight	1850 gr
Barcode single item	8011905972899
Number of pieces multiple pack	5
Barcode multiple pack	8011905988357
Minimum order quantity	1
Minimum packaging	1 / 5