

## SLIMFLUX BL PLAFO - PLUS

### Typology

LED panel or direct lighting complete with a ceiling-mounted frame for surface installation.  
Also available in a UGR version.

### Features

Fixtures can be also be surface mounted both vertically and horizontally. The positioning of the LED sources on a horizontal plate ensures lighting uniformity on the screen surface and excellent efficiency levels.  
If you want to dim or use the multicurrent power supply dimmer. Colour rendering: Ra>80.

### Material

Painted white aluminium body; high-transmittance PMMA primary optics.

### Usage information

SLIMFLUX 60x60 panels can be used with multi-current dimming power supply, code DELT40D-M.

### Emergency

SLIMFLUX panels can be used with standby emergency kit, code KTEMR03.

### Notes

Providing greater visual comfort, improved definition of detail and reduction of stress.

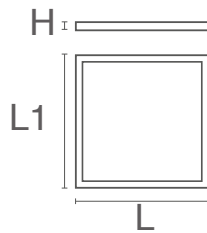


<b>PLUS</b>	220-240 Vac	Ra >80		35000 h L70B20	IP20 VI IP43 VO	Free Wire	-25°C +35°C	Risk Group 0	

### Characteristic data

Power	60 W	Dimmable	No	Input	220-240 Vac	Base	Free Wire
IP	20	Optical compartment IP	43	Flux	6000 lm	PF	0,9
Tc	6000 K	Ra	>80	LED Warranty	G3	RG	RG0

## Dimensional characteristics



L	600 mm
L1	600 mm
H	40 mm

## Lighting and photometric features

Flux	6000 lm
CCT nominal colour temperature	6000 K
Colour of the light	Cool light
Colour rendering index	>80
Lifespan	35000 h
LED lifespan	L70B20
Trigger time	<0,2 s
Heating time up to 60% of full efficiency	Instant Full Light

## Electrical characteristics

Rated power	60 W
Input voltage	220-240 Vac
Frequency	50/60 Hz
Dimmable	No
Power factor (PF)	0,9
Number of cycles	100000
Operating temperature	-25°C / +35°C

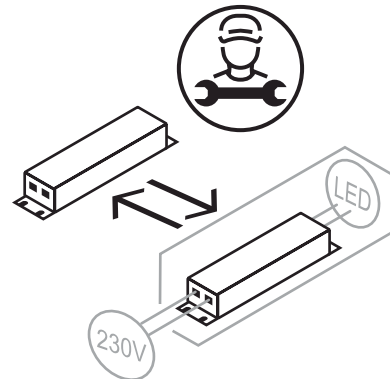
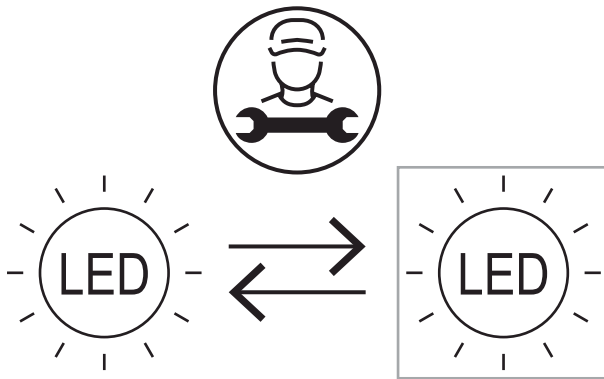
## Photometry

	6000K	H(m)	D(m)	E <sub>max</sub> (lx)	
	Ra80		115°		
Fixture Power	60W	1	3.11	2041	
Source Flux	6000lm	2	6.22	510	
Fixture Flux	6000lm	3	9.33	227	
Efficacy	100lm/W	4	12.45	128	
951245 I <sub>max</sub> =340cd/klm	I <sub>max</sub>	2041cd	5	15.56	82

EulumDat file on the site

## Other Infotech

Flicker Free	Yes
Light source replaceability	Replaceable (LED only) light source by a professional.
Control gear replaceability	Replaceable control gear by a professional.



### LED Warranty

G3	Up to 3 years (4000h/year) *4000h = 11h a day x 365 days. Without limitations on the duration of use for the first year, provided the observance of the installation conditions.
----	--

### European Directives

2009/125/EC \* Ecodesign  
 2011/65/EU \* RoHS  
 2012/19/EU \* RAEE  
 2014/30/EU \* EMC  
 2014/35/EU \* LVD  
 2015/863 \* Amending RoHS  
 2017/1369 \* Regulation for Energy Labelling  
 2019/2015 \* Regulation for Energy Labelling  
 2019/2020 \* Regulation for Ecodesign  
 2021/340 \* Amending Reg. Energy Labelling  
 2021/341 \* Amending Reg. Ecodesign

### Product standards

CEI EN 55015:2020 (+A11:2020)  
 CEI EN 60598-1:2022  
 CEI EN 60598-2-1:2022  
 CEI EN 60598-2-2:2012  
 CEI EN 61000-3-2:2019 (+A1:2021)  
 CEI EN 61000-3-3:2014 (+EC1:2014/+EC2:2016/+A1:2021/+A2:2022)  
 CEI EN 61547:2010  
 CEI EN 62031:2021 (+A11:2022)  
 CEI EN 62471:2010  
 IEC/TR 62471-2:2009  
 CEI EN 62493:2015  
 CEI 34-141:2014

### Logistics data

Item net weight	1850 gr
Barcode single item	8011905951245
Number of pieces multiple pack	5
Barcode multiple pack	8011905951771
Minimum order quantity	1
Minimum packaging	1 / 5