



## PANTH H1 - SENSOR

### Typology

Super-compact professional projectors for large commercial and industrial spaces; uses highly efficient SMD technology, up to 175lm/W.  
IP44

### Features

Ultra-flat, highly efficient, long service life: reliable products for use in all areas where powerful light output with significant energy savings is required.  
Equipped with voltage surge protection, see details.

### Installation

Free-standing or fixed to the surface with its swivelling bracket.  
Cable length: 95 cm

### Material

Die-cast aluminium body.  
Suitable for use in dusty and humid environments due to its high IP rating.

### Usage information

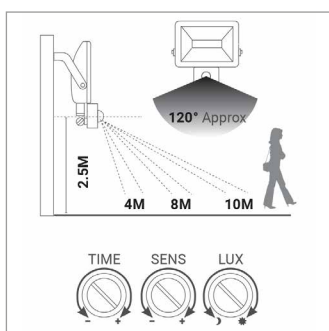
In case of installation in public areas, it is advisable to use overvoltage surge protection. The HP2 models are designed to withstand voltage peaks up to 4kV.

### Beam

Symmetrical beam angle: 110°.

### PIR

Ambient lighting: 3-2000 LUX (dimnable)  
Turn on time: min: 10sec 3sec - max: 7min 3min  
Installation height: 1.8 m 2.5 m  
Motion Detection Speed: 0.6~1.5m/s  
Detection distance: max.10 m (<24 C)

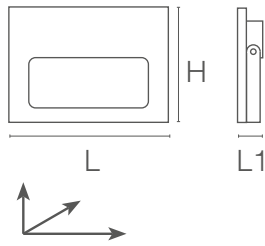


<b>PRO</b>	220-240 Vac	Ra 80		50000 h L70B20	IP44	IK04	Free terminals	-25°C +35°C	Risk Group 1
		FLICKER FREE							

### Characteristic data

Power	40 W	Beam	110°	Dimmable	No	Input	220-240 Vac
Base	Free terminals	IP	44	Flux	7000 lm	Axis	2570 cd
PF	0.95	Tc	4000 K	Ra	80	LED Warranty	G5h24
IK	IK04	RG	RG1	Color	White		

## Dimensional characteristics



L	190 mm
L1	29 mm
H	125 mm

## Lighting and photometric features

Beam opening	110°
Flux	7000 lm
Axis	2570 cd
CCT nominal colour temperature	4000 K
Colour of the light	Natural light
Colour rendering index	80
Lifespan	50000 h
LED lifespan	L70B20

## Electrical characteristics

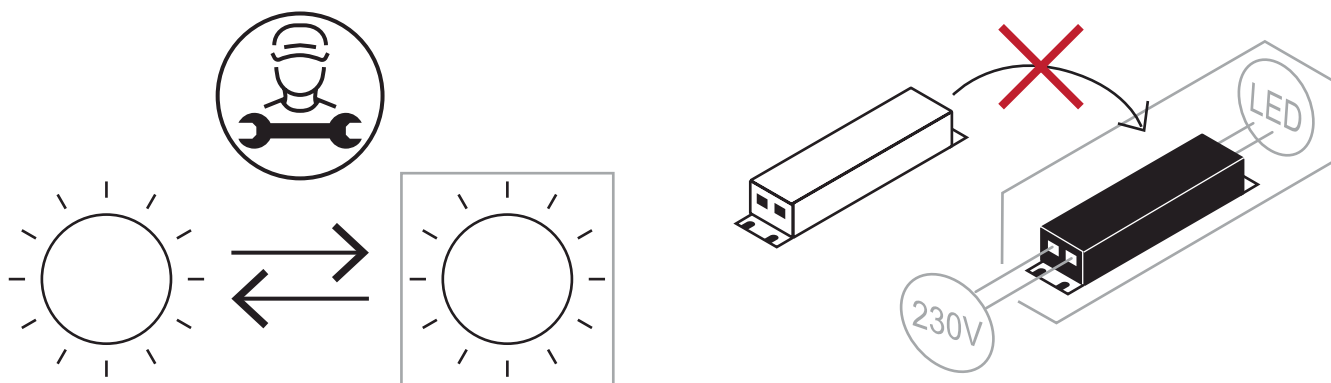
Rated power	40 W
Input voltage	220-240 Vac
Frequency	50/60 Hz
Dimmable	No
Power factor (PF)	0.95
Input current	0.18 A
Weighted energy consumption	40 kWh/1000h
Energy efficiency class	This product contains a light source of energy efficiency class "A"
Operating temperature	-25°C / +35°C

## Photometry

EuLumDat file on the site

## Other Infotech

Flicker Free	Yes
Light source replaceability	Replaceable light source by a professional.
Control gear replaceability	Non-replaceable control gear.



## LED Warranty

G5h24	Full Guarantee 5 years (24h/24h) Without limitations on the duration of use for the first year, provided the observance of the installation conditions.
-------	---------------------------------------------------------------------------------------------------------------------------------------------------------------

## European Directives

2009/125/EC \* Ecodesign  
2011/65/EU \* RoHS  
2012/19/EU \* RAEE  
2014/30/EU \* EMC  
2014/35/EU \* LVD  
2015/863 \* Amending RoHS  
2017/1369 \* Regulation for Energy Labelling  
2019/2015 \* Regulation for Energy Labelling  
2019/2020 \* Regulation for Ecodesign  
2021/340 \* Amending Reg. Energy Labelling  
2021/341 \* Amending Reg. Ecodesign

## Product standards

CEI EN 55015:2020 (+A11:2020)  
CEI EN 60598-1:2022  
CEI EN 60598-2-5:2016  
CEI EN 61000-3-2:2019 (+A1:2021)  
CEI EN 61000-3-3:2014 (+EC1:2014/+EC2:2016/+A1:2021/+A2:2022)  
CEI EN 61547:2010  
CEI EN 62031:2021 (+A11:2022)  
CEI EN 62471:2010  
IEC/TR 62471-2:2009  
CEI EN 62493:2015  
CEI 34-141:2014

## Logistics data

Item net weight	572 gr
Barcode single item	8011905326296
Number of pieces multiple pack	10
Minimum order quantity	1
Minimum packaging	1 / 10