

REGLETTE T5 CCT

Typology

LED T5 replacement professional undercabinet/ceiling batten light in the most diffused sizes.

Features

It attaches to both walls and ceilings using the clip included. Filino T5 batten can be installed in series code KTLRT, up to a maximum of 10 units (18 W / 23 W); 15 units (8/10 W / 14 W); 20 units 4 W.

Exceptional light quality & easy fixing with the clips provided; On/off switch on the batten body.

Free-wire connection: use the accessory cable code KTLRT-CORD if a plug is required.

Filino T5 batten can be installed in series by joining together the units or using the accessory connection cable, code KTLRT.

Material

Heat resistant, anti-yellowing plastic body.

Applications

Shelves lighting for retail sector, over- and under-shelves, etc.

BASIC 220-240 Vac Ra >80 20000 h L70B50 IP20 Wire -25°C +35°C Risk Group 0 130° G2

Characteristic data

| | | | | | | | |
|-------|------|------|------------------|----------|---------|--------------|-------------|
| Power | 20 W | Beam | 130° | Dimmable | No | Input | 220-240 Vac |
| Base | Wire | IP | 20 | Flux | 2150 lm | Axis | 1060 cd |
| PF | 0.51 | Tc | 3000-4000-6400 K | Ra | >80 | LED Warranty | G2 |
| RG | RG0 | | | | | | |

Dimensional characteristics



| | |
|----|---------|
| L | 1500 mm |
| L1 | 25 mm |
| H | 30 mm |

Lighting and photometric features

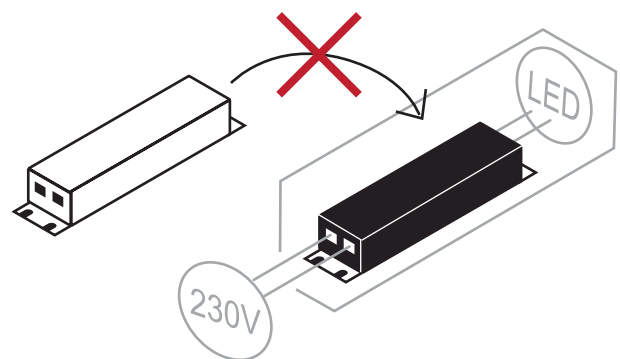
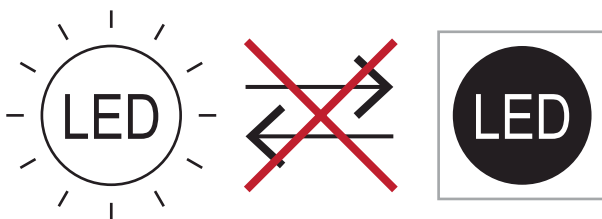
| | |
|---|--------------------|
| Beam opening | 130° |
| Flux | 2150 lm |
| Axis | 1060 cd |
| CCT nominal colour temperature | 3000-4000-6400 K |
| Colour of the light | CCT |
| Colour rendering index | >80 |
| Lifespan | 20000 h |
| LED lifespan | L70B50 |
| Trigger time | <0,2 s |
| Heating time up to 60% of full efficiency | Instant Full Light |

Electrical characteristics

| | |
|-------------------------|---|
| Rated power | 20 W |
| Input voltage | 220-240 Vac |
| Frequency | 50/60 Hz |
| Dimmable | No |
| Power factor (PF) | 0.51 |
| Input current | 0.17 A |
| Energy efficiency class | This product contains a light source of energy efficiency class "D" |
| Number of cycles | 100000 |
| Operating temperature | -25°C / +35°C |

Other Infotech

| | |
|-----------------------------|-------------------------------|
| Reflector | Yes |
| Light source replaceability | Non-replaceable light source. |
| Control gear replaceability | Non-replaceable control gear. |



LED Warranty

| | |
|----|--|
| G2 | Up to 2 years (4000h/year) *4000h = 11h a day x 365 days. Without limitations on the duration of use for the first year, provided the observance of the installation conditions. |
|----|--|

European Directives

2009/125/EC * Ecodesign
 2011/65/EU * RoHS
 2012/19/EU * RAEE
 2014/30/EU * EMC
 2014/35/EU * LVD
 2015/863 * Amending RoHS
 2017/1369 * Regulation for Energy Labelling
 2019/2015 * Regulation for Energy Labelling
 2019/2020 * Regulation for Ecodesign
 2021/340 * Amending Reg. Energy Labelling
 2021/341 * Amending Reg. Ecodesign

Product standards

CEI EN 55015:2020 (+A11:2020)
 CEI EN 60598-1:2022
 CEI EN 60598-2-1:2022
 CEI EN 61000-3-2:2019 (+A1:2021)
 CEI EN 61000-3-3:2014 (+EC1:2014/+EC2:2016/+A1:2021/+A2:2022)
 CEI EN 61547:2010
 CEI EN 62031:2021 (+A11:2022)
 CEI EN 62471:2010
 IEC/TR 62471-2:2009
 CEI EN 62493:2015
 CEI 34-141:2014

Logistics data

| | |
|--------------------------------|---------------|
| Item net weight | 270 gr |
| Barcode single item | 8011905341459 |
| Number of pieces multiple pack | 10 |
| Minimum order quantity | 1 |
| Minimum packaging | 1 / 10 |