

## REGLETTE T5 CCT

### Typology

LED T5 replacement professional undercabinet/ceiling batten light in the most diffused sizes.

### Features

It attaches to both walls and ceilings using the clip included.  
 Filino T5 batten can be installed in series code KTLRT, up to a maximum of 10 units (18 W / 23 W); 15 units (8/10 W / 14 W); 20 units 4 W.  
 Exceptional light quality & easy fixing with the clips provided; On/off switch on the batten body.  
 Free-wire connection: use the accessory cable code KTLRT-CORD if a plug is required.  
 Filino T5 batten can be installed in series by joining together the units or using the accessory connection cable, code KTLRT.

### Material

Heat resistant, anti-yellowing plastic body.

### Applications

Shelves lighting for retail sector, over- and under-shelves, etc.

BASIC

220-240  
Vac

Ra >80

20000 h  
L70B50

IP20

Wire

-25°C  
+35°C

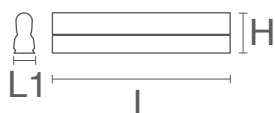
Risk  
Group 0

130°

### Characteristic data

Power	12 W	Beam	130°	Dimmable	No	Input	220-240 Vac
Base	Wire	IP	20	Flux	1350 lm	Axis	600 cd
PF	0.51	Tc	3000-4000-6400 K	Ra	>80	LED Warranty	G2
RG	RG0						

### Dimensional characteristics



L	900 mm
L1	25 mm
H	30 mm

## Lighting and photometric features

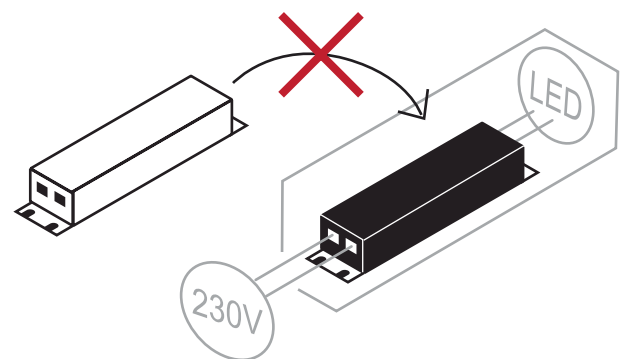
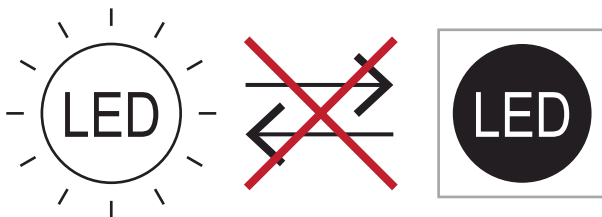
Beam opening	130°
Flux	1350 lm
Axis	600 cd
CCT nominal colour temperature	3000-4000-6400 K
Colour of the light	CCT
Colour rendering index	>80
Lifespan	20000 h
LED lifespan	L70B50
Trigger time	<0,2 s
Heating time up to 60% of full efficiency	Instant Full Light

## Electrical characteristics

Rated power	12 W
Input voltage	220-240 Vac
Frequency	50/60 Hz
Dimmable	No
Power factor (PF)	0.51
Input current	0.1 A
Energy efficiency class	This product contains a light source of energy efficiency class "D"
Number of cycles	100000
Operating temperature	-25°C / +35°C

## Other Infotech

Reflector	Yes
Light source replaceability	Non-replaceable light source.
Control gear replaceability	Non-replaceable control gear.



## LED Warranty

G2	Up to 2 years (4000h/year) *4000h = 11h a day x 365 days. Without limitations on the duration of use for the first year, provided the observance of the installation conditions.
----	--

## European Directives

2009/125/EC \* Ecodesign  
 2011/65/EU \* RoHS  
 2012/19/EU \* RAEE  
 2014/30/EU \* EMC  
 2014/35/EU \* LVD  
 2015/863 \* Amending RoHS  
 2017/1369 \* Regulation for Energy Labelling  
 2019/2015 \* Regulation for Energy Labelling  
 2019/2020 \* Regulation for Ecodesign  
 2021/340 \* Amending Reg. Energy Labelling  
 2021/341 \* Amending Reg. Ecodesign

## Product standards

CEI EN 55015:2020 (+A11:2020)  
 CEI EN 60598-1:2022  
 CEI EN 60598-2-1:2022  
 CEI EN 61000-3-2:2019 (+A1:2021)  
 CEI EN 61000-3-3:2014 (+EC1:2014/+EC2:2016/+A1:2021/+A2:2022)  
 CEI EN 61547:2010  
 CEI EN 62031:2021 (+A11:2022)  
 CEI EN 62471:2010  
 IEC/TR 62471-2:2009  
 CEI EN 62493:2015  
 CEI 34-141:2014

## Logistics data

Item net weight	170 gr
Barcode single item	8011905338558
Number of pieces multiple pack	10
Minimum order quantity	1
Minimum packaging	1 / 10