



SLIMFLUX BL UGR - PRO

Typology

Direct lighting LED panel.

Features

The backlit panel is composed of a metal material back compartment providing a heat sink function.

Colour rendering: Ra>80.

Installation

Installations: recessed, suspended, ceiling/wall.

Surface mounting & adjustable suspension wire kits are available as accessories. Consider more depth for recessed installations.

Material

White painted metal body.

Micro-prismatic anti-glare screen.

Usage information

SLIMFLUX 60x60 panels can be used with multi-current dimming power supply, code DELT40D-M.

Emergency

SLIMFLUX panels can be used with standby emergency kit, code KTEMR03.

Packaging

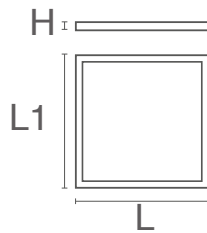
6 pieces pack with single items' protection plastic bag.



Characteristic data

Power	40 W	Dimmable	No	Input	220-240 Vac	Base	Free Wire
IP	20	Optical compartment IP	43	Flux	4000 lm	PF	>0,9
UGR	<19	Tc	4000 K	Ra	>80	LED Warranty	G2
RG	RG0						

Dimensional characteristics



L	595 mm
L1	595 mm
H	34 mm

Lighting and photometric features

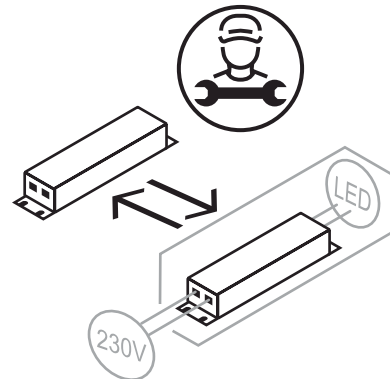
Flux	4000 lm
CCT nominal colour temperature	4000 K
Colour of the light	Natural light
Colour rendering index	>80
Lifespan	25000 h
LED lifespan	L70B20
Trigger time	<0,2 s
Heating time up to 60% of full efficiency	Instant Full Light
UGR	<19

Electrical characteristics

Rated power	40 W
Input voltage	220-240 Vac
Frequency	50/60 Hz
Dimmable	No
Power factor (PF)	>0,9
Operating temperature	-20°C / +45°C

Other Infotech

Flicker Free	Yes
Light source replaceability	Replaceable (LED only) light source by a professional.
Control gear replaceability	Replaceable control gear by a professional.



LED Warranty

G2	Up to 2 years (4000h/year) *4000h = 11h a day x 365 days. Without limitations on the duration of use for the first year, provided the observance of the installation conditions.
----	--

European Directives

2009/125/EC * Ecodesign
 2011/65/EU * RoHS
 2012/19/EU * RAEE
 2014/30/EU * EMC
 2014/35/EU * LVD
 2015/863 * Amending RoHS
 2017/1369 * Regulation for Energy Labelling
 2019/2015 * Regulation for Energy Labelling
 2019/2020 * Regulation for Ecodesign
 2021/340 * Amending Reg. Energy Labelling
 2021/341 * Amending Reg. Ecodesign

Product standards

CEI EN 55015:2020 (+A11:2020)
 CEI EN 60598-1:2022
 CEI EN 60598-2-1:2022
 CEI EN 61000-3-2:2019 (+A1:2021)
 CEI EN 61000-3-3:2014 (+EC1:2014/+EC2:2016/+A1:2021/+A2:2022)
 CEI EN 61547:2010
 CEI EN 62031:2021 (+A11:2022)
 CEI EN 62471:2010
 IEC/TR 62471-2:2009
 CEI EN 62493:2015
 CEI 34-141:2014

Logistics data

Item net weight	1120 gr
Barcode single item	8011905334970
Number of pieces multiple pack	6
Minimum packaging	6 / 6