



SLIMFLUX BL UGR CCT

Typology

Direct lighting LED panel.

Features

The positioning of the LED sources on a horizontal plate ensures lighting uniformity on the screen surface and excellent efficiency levels. The backlit panel is composed of a metal material back compartment providing a heat sink function. Equipped with special PMMA primary lenses, the LED sources positioned on a horizontal plate ensure lighting uniformity on the diffuser surface and ensure excellent efficiency levels. Colour rendering: Ra>80 or Ra>90.

Installation

Consider more depth for recessed installations.

Material

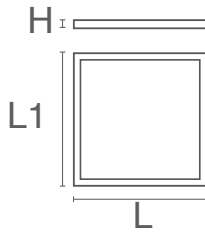
Painted white aluminium body; high-transmittance PMMA primary optics.

BASIC	220-240 Vac	Ra >90		25000 h L70B50	IP20 VI IP43 VO	Free Wire	-25°C +35°C	Risk Group 0	UGR <19
	FLICKER FREE								

Characteristic data

Power	38 W	Dimmable	No	Input	220-240 Vac	Base	Free Wire
IP	20	Optical compartment IP	43	Flux	4300 lm	Axis	2000 cd
PF	0,90	UGR	<19	Tc	3000-4000-6000 K	Ra	>90
LED Warranty	G2	RG	RG0				

Dimensional characteristics



L	595 mm
L1	595 mm
H	26 mm

Lighting and photometric features

Flux	4300 lm
Axis	2000 cd
CCT nominal colour temperature	3000-4000-6000 K
Colour of the light	CCT
Colour rendering index	>90
Lifespan	25000 h
LED lifespan	L70B50
Trigger time	<0,2 s
Heating time up to 60% of full efficiency	Instant Full Light
UGR	<19

Electrical characteristics

Rated power	38 W
Input voltage	220-240 Vac
Frequency	50/60 Hz
Dimmable	No
Power factor (PF)	0,90
Operating temperature	-25°C / +35°C

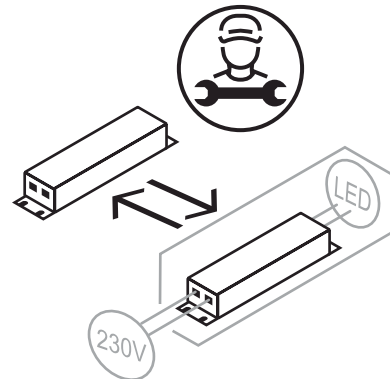
Photometry

	4000K	H(m)	D1(m)	D2(m)	E _{max} (lx)
	Ra92		85°	92°	
Fixture Power	38W	1	1.82	2.08	2043
Source Flux	4300lm	2	3.64	4.16	511
Fixture Flux	4300lm	3	5.47	6.23	227
Efficacy	113lm/W	4	7.29	8.31	128
I _{max} =475cd/klm	I _{max}	5	9.11	10.39	82

EuLumDat file on the site

Other Infotech

Flicker Free	Yes
Light source replaceability	Replaceable (LED only) light source by a professional.
Control gear replaceability	Replaceable control gear by a professional.



LED Warranty

G2	Up to 2 years (4000h/year) *4000h = 11h a day x 365 days. Without limitations on the duration of use for the first year, provided the observance of the installation conditions.
----	--

European Directives

2009/125/EC * Ecodesign
 2011/65/EU * RoHS
 2012/19/EU * RAEE
 2014/30/EU * EMC
 2014/35/EU * LVD
 2015/863 * Amending RoHS
 2017/1369 * Regulation for Energy Labelling
 2019/2015 * Regulation for Energy Labelling
 2019/2020 * Regulation for Ecodesign
 2021/340 * Amending Reg. Energy Labelling
 2021/341 * Amending Reg. Ecodesign

Product standards

CEI EN 55015:2020 (+A11:2020)
 CEI EN 60598-1:2022
 CEI EN 60598-2-1:2022
 CEI EN 60598-2-2:2012
 CEI EN 61000-3-2:2019 (+A1:2021)
 CEI EN 61000-3-3:2014 (+EC1:2014/+EC2:2016/+A1:2021/+A2:2022)
 CEI EN 61547:2010
 CEI EN 62031:2021 (+A11:2022)
 CEI EN 62471:2010
 IEC/TR 62471-2:2009
 CEI EN 62493:2015
 CEI 34-141:2014

Logistics data

Item net weight	1460 gr
Barcode single item	8011905338633
Minimum packaging	6 / 6