

## SLIMFLUX BL UGR CCT

### Typology

Direct lighting LED panel.

### Features

The positioning of the LED sources on a horizontal plate ensures lighting uniformity on the screen surface and excellent efficiency levels. The backlit panel is composed of a metal material back compartment providing a heat sink function.

Equipped with special PMMA primary lenses, the LED sources positioned on a horizontal plate ensure lighting uniformity on the diffuser surface and ensure excellent efficiency levels.

Colour rendering: Ra>80 or Ra>90.

### Installation

Consider more depth for recessed installations.

### Material

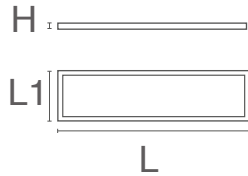
Painted white aluminium body; high-transmittance PMMA primary optics.

<b>BASIC</b>	220-240 Vac	Ra >90		25000 h L70B50	IP20 VI IP43 VO	Free Wire	-25°C +35°C	Risk Group 0	UGR <19
	<b>FLICKER FREE</b>								

### Characteristic data

Power	38 W	Dimmable	No	Input	220-240 Vac	Base	Free Wire
IP	20	Optical compartment IP	43	Flux	4300 lm	Axis	2000 cd
PF	0,90	UGR	<19	Tc	3000-4000-6000 K	Ra	>90
LED Warranty	G2	RG	RG0				

## Dimensional characteristics



L	1195 mm
L1	295 mm
H	26 mm

## Lighting and photometric features

Flux	4300 lm
Axis	2000 cd
CCT nominal colour temperature	3000-4000-6000 K
Colour of the light	CCT
Colour rendering index	>90
Lifespan	25000 h
LED lifespan	L70B50
Trigger time	<0,2 s
Heating time up to 60% of full efficiency	Instant Full Light
UGR	<19

## Electrical characteristics

Rated power	38 W
Input voltage	220-240 Vac
Frequency	50/60 Hz
Dimmable	No
Power factor (PF)	0,90
Operating temperature	-25°C / +35°C

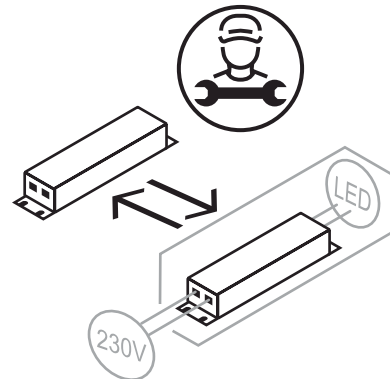
## Photometry

	4000K	H(m)	D(m)	Emax(lx)
	Ra92		91°	
Fixture Power	38W	1	2.03	1953
Source Flux	4300lm	2	4.07	488
Fixture Flux	4300lm	3	6.10	217
Efficacy	113lm/W	4	8.14	122
Imax=454cd/klm	Imax	5	10.17	78

EuLumDat file on the site

## Other Infotech

Flicker Free	Yes
Light source replaceability	Replaceable (LED only) light source by a professional.
Control gear replaceability	Replaceable control gear by a professional.



### LED Warranty

G2	Up to 2 years (4000h/year) *4000h = 11h a day x 365 days. Without limitations on the duration of use for the first year, provided the observance of the installation conditions.
----	--

### European Directives

2009/125/EC \* Ecodesign  
 2011/65/EU \* RoHS  
 2012/19/EU \* RAEE  
 2014/30/EU \* EMC  
 2014/35/EU \* LVD  
 2015/863 \* Amending RoHS  
 2017/1369 \* Regulation for Energy Labelling  
 2019/2015 \* Regulation for Energy Labelling  
 2019/2020 \* Regulation for Ecodesign  
 2021/340 \* Amending Reg. Energy Labelling  
 2021/341 \* Amending Reg. Ecodesign

### Product standards

CEI EN 55015:2020 (+A11:2020)  
 CEI EN 60598-1:2022  
 CEI EN 60598-2-1:2022  
 CEI EN 60598-2-2:2012  
 CEI EN 61000-3-2:2019 (+A1:2021)  
 CEI EN 61000-3-3:2014 (+EC1:2014/+EC2:2016/+A1:2021/+A2:2022)  
 CEI EN 61547:2010  
 CEI EN 62031:2021 (+A11:2022)  
 CEI EN 62471:2010  
 IEC/TR 62471-2:2009  
 CEI EN 62493:2015  
 CEI 34-141:2014

### Logistics data

Item net weight	1560 gr
Barcode single item	8011905338640
Minimum packaging	6 / 6