



HB2 - HIGH BAY

Typology

Suspension fixture for installations in large commercial and industrial spaces; uses SMD technology.
Also available in a DALI version.

Features

It is composed of an independent power supply system connected to the body of the fixture with small columns for improved thermal management.
The optical unit is integrated into the aluminium body for perfect heat dissipation.
The fixture body can be completed with an aluminium or polycarbonate reflector to obtain a different aesthetic and antiglare effect.
Cable length: 1 m

Installation

Equipped with a mounting ring for suspension installation.
Equipped with steel anti-fall safety cable.
For ceiling or wall installation order the accessory code that comprises the bracket and the relative accessories.

Material

Grooved die-cast aluminium for heat dissipation.

Applications

Professional lighting ideal for industrial environments and large indoor spaces.

Beam

Optical system consisting of an array of lens optimised for SMDs.
Different opening angle depending on the model.

Notes

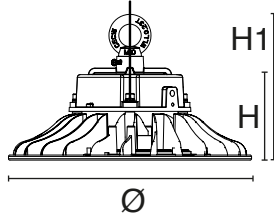
Optimised design to maximise heat exchange.

PRO	220-240 Vac	Ra >80	DALI	50000 h L70B20	IP65	IK08	Free Wire	-25°C +45°C	Risk Group 1
	120°	FLICKER FREE	G5 h24						

Characteristic data

Power	200 W	Beam	120°	Dimmable	DALI	Input	220-240 Vac
Base	Free Wire	IP	65	Flux	30000 lm	Axis	9300 cd
PF	0,92	Tc	4000 K	Ra	>80	LED Warranty	G5h24
IK	IK08	RG	RG1				

Dimensional characteristics



Ø	305 mm
H	123 mm
H2	168 mm

Lighting and photometric features

Beam opening	120°
Flux	30000 lm
Axis	9300 cd
CCT nominal colour temperature	4000 K
Colour of the light	Natural light
Colour rendering index	>80
Lifespan	50000 h
LED lifespan	L70B20

Electrical characteristics

Rated power	200 W
Input voltage	220-240 Vac
Frequency	50/60 Hz
Dimmable	DALI
Power factor (PF)	0,92
Operating temperature	-25°C / +45°C

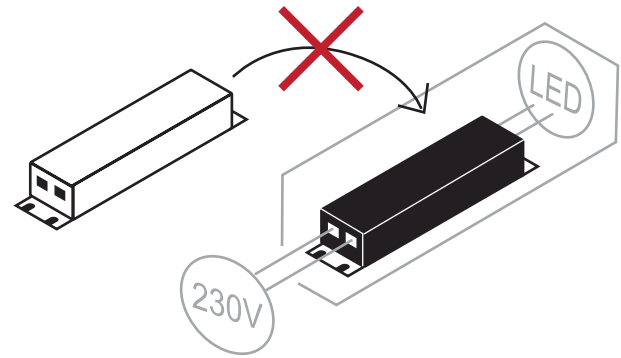
Photometry

	4000K	H(m)	D(m)	Emax(lx)	
	Ra80		113°		
Fixture Power	200W	1	3.04	10757	
Source Flux	30000lm	2	6.08	2689	
Fixture Flux	30000lm	3	9.13	1195	
Efficacy	150lm/W	4	12.17	672	
929466 I _{max} =359cd/klm	I _{max}	10757cd	5	15.21	430

EuLumDat file on the site

Other Infotech

Flicker Free	Yes
Light source replaceability	Replaceable (LED only) light source by a professional.
Control gear replaceability	Non-replaceable control gear.



LED Warranty

G5h24	Full Guarantee 5 years (24h/24h) Without limitations on the duration of use for the first year, provided the observance of the installation conditions.
-------	---

European Directives

2009/125/EC * Ecodesign
 2011/65/EU * RoHS
 2012/19/EU * RAEE
 2014/30/EU * EMC
 2014/35/EU * LVD
 2015/863 * Amending RoHS
 2017/1369 * Regulation for Energy Labelling
 2019/2015 * Regulation for Energy Labelling
 2019/2020 * Regulation for Ecodesign
 2021/340 * Amending Reg. Energy Labelling
 2021/341 * Amending Reg. Ecodesign

Product standards

CEI EN 55015:2020 (+A11:2020)
 CEI EN 60598-1:2022
 CEI EN 60598-2-1:2022
 CEI EN 61000-3-2:2019 (+A1:2021)
 CEI EN 61000-3-3:2014 (+EC1:2014/+EC2:2016/+A1:2021/+A2:2022)
 CEI EN 61547:2010
 CEI EN 62031:2021 (+A11:2022)
 CEI EN 62471:2010
 IEC/TR 62471-2:2009
 CEI EN 62493:2015
 CEI 34-141:2014

Logistics data

Item net weight	2400 gr
Barcode single item	8011905933180
Minimum order quantity	1
Minimum packaging	1 / 1