



## PLAFO MULTI

### Typology

LED ceiling light IP65 IK10 with motion sensor, multi-power, light temperature selection and brightness sensor.

### Features

Easy selection and adjustment of power and color temperature settings. Microwave sensor (5.8GHz) for motion and natural light detection: improves visibility and safety while optimizing energy savings. The sensor is housed inside the fixture and is equipped with dip-switches for customizing the detection area, the on/off time, and the sensitivity of the internal luxmeter that detects ambient natural light. The DIP-switch is wired to the LED driver and is frontally accessible after removing the cover. The sensor can be disabled. Opal cover for excellent light uniformity.

### Installation

It is fixed with the supplied screws. During installation, settings are selected and the fixture is closed by positioning the screen with a simple rotation.

### Material

Matte white polycarbonate base. Opal polycarbonate cover.

### Applications

Typically used in stairwells, apartment and residential building entrances, waiting rooms and surgeries, etc.

### Notes

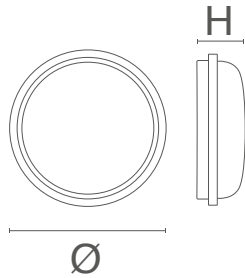
Do not use with dimmers. The flux data indicated refers to the 4000K colour temperature.

<b>PLUS</b>	220-240 Vac	Ra >80		30000 h L70B50	IP65	IK10	Screws	-25°C +35°C	Risk Group 0

### Characteristic data

Beam	120°	Dimmable	No	Input	220-240 Vac	Base	Screws
IP	65	PF	0.5	Tc	3000-4000-6000 K	Ra	>80
LED Warranty	G3	IK	IK10	RG	RG0		

## Dimensional characteristics



Ø	320 mm
H	65 mm

## Lighting and photometric features

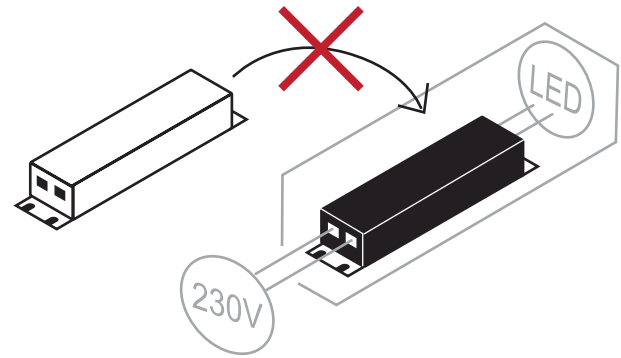
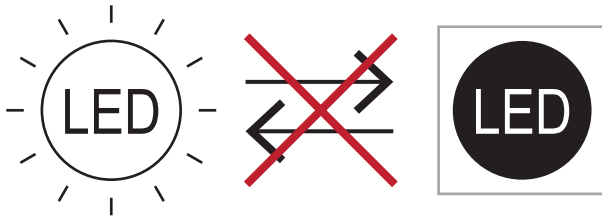
Beam opening	120°
Flux	1400-1920-2540 lm
Axis	430-590-780 cd
CCT nominal colour temperature	3000-4000-6000 K
Colour of the light	CCT
Colour rendering index	>80
Lifespan	30000 h
LED lifespan	L70B50
Trigger time	<0,2 s
Heating time up to 60% of full efficiency	Instant Full Light

## Electrical characteristics

Rated power	12-17-23 W
Input voltage	220-240 Vac
Frequency	50/60 Hz
Dimmable	No
Power factor (PF)	0.5
Weighted energy consumption	23 kWh/1000h
Energy efficiency class	This product contains a light source of energy efficiency class "E"
Number of cycles	100000
Operating temperature	-25°C / +35°C

## Other Infotech

Reflector	Yes
Light source replaceability	Non-replaceable light source.
Control gear replaceability	Non-replaceable control gear.



### LED Warranty

G3	Up to 3 years (4000h/year) *4000h = 11h a day x 365 days. Without limitations on the duration of use for the first year, provided the observance of the installation conditions.
----	--

### European Directives

2009/125/EC \* Ecodesign  
2011/65/EU \* RoHS  
2012/19/EU \* RAEE  
2014/30/EU \* EMC  
2014/35/EU \* LVD  
2015/863 \* Amending RoHS  
2017/1369 \* Regulation for Energy Labelling  
2019/2015 \* Regulation for Energy Labelling  
2019/2020 \* Regulation for Ecodesign  
2021/340 \* Amending Reg. Energy Labelling  
2021/341 \* Amending Reg. Ecodesign

### Product standards

CEI EN 55015:2020 (+A11:2020)  
CEI EN 60598-1:2022  
CEI EN 60598-2-1:2022  
CEI EN 61000-3-2:2019 (+A1:2021)  
CEI EN 61000-3-3:2014 (+EC1:2014/+EC2:2016/+A1:2021/+A2:2022)  
CEI EN 61547:2010  
CEI EN 62031:2021 (+A11:2022)  
CEI EN 62471:2010  
IEC/TR 62471-2:2009  
CEI EN 62493:2015  
CEI 34-141:2014

### Logistics data

Item net weight	840 gr
Barcode single item	8011905345945
Number of pieces multiple pack	6
Minimum order quantity	6
Minimum packaging	6 / 6