



INCASS. LED 3" 7W 220-240V 4000K TONDO

Typology

LED source with SMD technology and high efficiency chip integrated into a recessed luminaire.
External driver included in the package.
Low thickness.

Features

Aluminium finned body for best heat dissipation.

Installation

Complete with springs for easy fastening into false ceilings.

Material

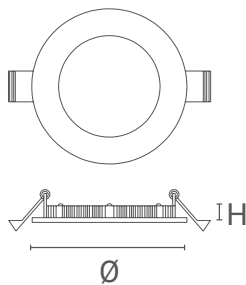
Die-cast aluminium body.



Characteristic data

Power	7 W	Beam	110°	Dimmable	No	Input	100-240 Vac
Base	Wire	IP	20	Optical compartment IP	43	Flux	630 lm
Axis	305 cd	PF	0.9	Tc	4000 K	Ra	90
LED Warranty	G5h24	RG	RG0				

Dimensional characteristics



Ø	100 mm
H	27 mm

Cutting hole	80
--------------	----

Lighting and photometric features

Beam opening	110°
Flux	630 lm
Axis	305 cd
CCT nominal colour temperature	4000 K
Colour of the light	Natural light
Colour rendering index	90
Lifespan	50000 h
LED lifespan	L70B20

Electrical characteristics

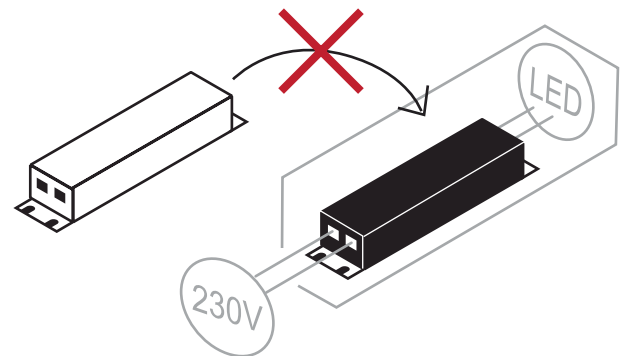
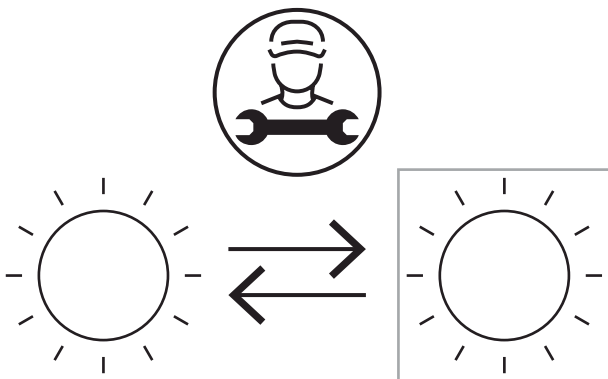
Rated power	7 W
Input voltage	100-240 Vac
Frequency	50/60 Hz
Dimmable	No
Power factor (PF)	0.9
Input current	0.48 A
Weighted energy consumption	7 kWh/1000h
Operating temperature	-25°C / +35°C

Photometry

EuLumDat file on the site

Other Infotech

Flicker Free	Yes
Light source replaceability	Replaceable light source by a professional.
Control gear replaceability	Non-replaceable control gear.



LED Warranty

65h24	Full Guarantee 5 years (24h/24h) Without limitations on the duration of use for the first year, provided the observance of the installation conditions.
-------	---

European Directives

2009/125/EC * Ecodesign
2011/65/EU * RoHS
2012/19/EU * RAEE
2014/30/EU * EMC
2014/35/EU * LVD
2015/863 * Amending RoHS
2017/1369 * Regulation for Energy Labelling
2019/2015 * Regulation for Energy Labelling
2019/2020 * Regulation for Ecodesign
2021/340 * Amending Reg. Energy Labelling
2021/341 * Amending Reg. Ecodesign

Product standards

CEI EN 55015:2020 (+A11:2020)
CEI EN 60598-1:2022
CEI EN 60598-2-5:2016
CEI EN 61000-3-2:2019 (+A1:2021)
CEI EN 61000-3-3:2014 (+EC1:2014/+EC2:2016/+A1:2021/+A2:2022)
CEI EN 61547:2010
CEI EN 62031:2021 (+A11:2022)
CEI EN 62471:2010
IEC/TR 62471-2:2009
CEI EN 62493:2015
CEI 34-141:2014

Logistics data

Item net weight	115 gr
Barcode single item	8011905326760
Number of pieces multiple pack	30
Minimum order quantity	1
Minimum packaging	1 / 30