



SLIMFLUX BL UGR CCT - PRO

Typology

LED panel for direct lighting.

Luminaire with the possibility of selecting the colour temperature at the time of installation.

Features

Remote power supply equipped with a dip-switch to select the colour temperature. The backlit panel is composed of a metal material back compartment providing a heat sink function.

The LED sources positioned on a horizontal plate ensure lighting uniformity on the diffuser surface and ensure excellent efficiency levels.

Colour rendering: Ra>80, Ra>90.

Flicker Free.

Installation

Consider more depth for recessed installations.

Material

Painted white aluminium body.

Micro diffusive PMMA lens.

Notes

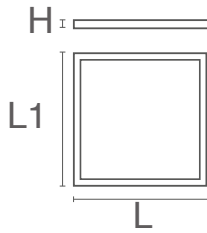
Providing greater visual comfort, improved definition of detail and reduction of stress.

PRO	220-240 Vac	Ra >90		50000 h L80B20	IP20 VI IP43 VO	Free Wire	-25°C +35°C	Risk Group 0	UGR <19
	FLICKER FREE								

Characteristic data

Power	38 W	Dimmable	No	Input	220-240 Vac	Base	Free Wire
IP	20	Optical compartment IP	43	Flux	4300 lm	PF	0,95
UGR	<19	Tc	3000-4000-6000 K	Ra	>90	LED Warranty	G5h24
RG	RG0						

Dimensional characteristics



L	595 mm
L1	595 mm
H	40 mm

Lighting and photometric features

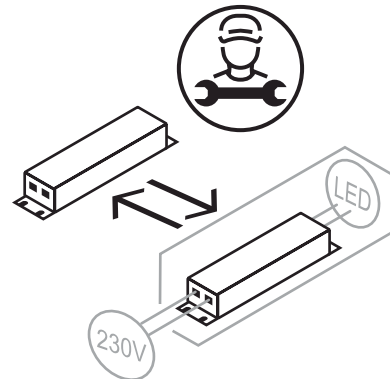
Flux	4300 lm
CCT nominal colour temperature	3000-4000-6000 K
Colour of the light	CCT
Colour rendering index	>90
Lifespan	50000 h
LED lifespan	L80B20
Trigger time	<0,2 s
Heating time up to 60% of full efficiency	Instant Full Light
UGR	<19

Electrical characteristics

Rated power	38 W
Input voltage	220-240 Vac
Frequency	50/60 Hz
Dimmable	No
Power factor (PF)	0,95
Number of cycles	100000
Operating temperature	-25°C / +35°C

Other Infotech

Flicker Free	Yes
Light source replaceability	Replaceable (LED only) light source by a professional.
Control gear replaceability	Replaceable control gear by a professional.



LED Warranty

G5h24	Full Guarantee 5 years (24h/24h) Without limitations on the duration of use for the first year, provided the observance of the installation conditions.
-------	---

European Directives

2009/125/EC * Ecodesign
 2011/65/EU * RoHS
 2012/19/EU * RAEE
 2014/30/EU * EMC
 2014/35/EU * LVD
 2015/863 * Amending RoHS
 2017/1369 * Regulation for Energy Labelling
 2019/2015 * Regulation for Energy Labelling
 2019/2020 * Regulation for Ecodesign
 2021/340 * Amending Reg. Energy Labelling
 2021/341 * Amending Reg. Ecodesign

Product standards

CEI EN 55015:2020 (+A11:2020)
 CEI EN 60598-1:2022
 CEI EN 60598-2-1:2022
 CEI EN 60598-2-2:2012
 CEI EN 61000-3-2:2019 (+A1:2021)
 CEI EN 61000-3-3:2014 (+EC1:2014/+EC2:2016/+A1:2021/+A2:2022)
 CEI EN 61547:2010
 CEI EN 62031:2021 (+A11:2022)
 CEI EN 62471:2010
 IEC/TR 62471-2:2009
 CEI EN 62493:2015
 CEI 34-141:2014

Logistics data

Item net weight	2230 gr
Barcode single item	8011905338572
Minimum packaging	4 / 4